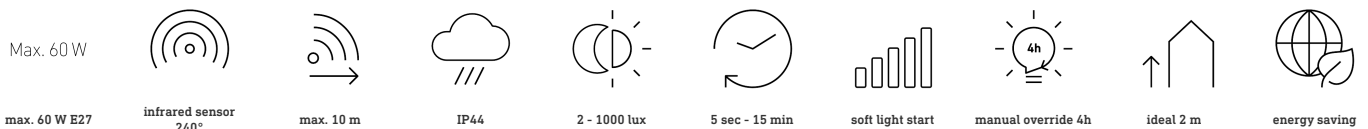


Sensor-switched outdoor light

# L 115 S

white  
EAN 4007841 657413  
Article number 657413



## Function description

Bright individual. Sensor-switched outdoor light L 115 S, ideal for building fronts and building entrances, 240° angle of coverage, reach up to 12 m, selectable time and twilight threshold, basic light-level function.

## Technical specifications

Dimensions (L x W x H)	257 x 215 x 330 mm	Sneak-by guard	Yes
With lamp	No	Capability of masking out individual segments	Yes
Manufacturer's Warranty	3 years	Electronic scalability	No
Settings via	Potentiometers	Mechanical scalability	No
With remote control	No	Reach, radial	r = 5 m (52 m <sup>2</sup> )
Version	white	Reach, tangential	r = 12 m (302 m <sup>2</sup> )
PU1, EAN	4007841657413	Photo-cell controller	Yes
Application, place	Outdoors	Abdeckmaterial Lieferumfang	shrouds
Application, room	outdoors, front door, all round the building, terrace / balcony, courtyard & driveway	Lamp	All-purpose lamp
Installation site	wall	Base	E27
Impact resistance	IK03	Soft light start	Yes
IP-rating	IP44	Continuous light	selectable, 4h
Protection class	II	Twilight setting	2 – 1000 lx
Ambient temperature	-20 – 50 °C	Time setting	5 s – 15 Min.
Housing material	Plastic	Basic light level function	Yes
Cover material	Glass transparent	Interconnection	No
		Basic light level function in per cent	10 – 50 %

<https://www.steinel.de>

Subject to technical modifications

07.2023 Page 1 from 2

## Sensor-switched outdoor light

# L 115 S

white

EAN 4007841 657413

Article number 657413

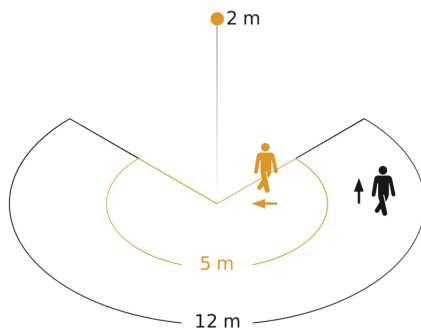


### Technical specifications

Mains power supply	230 – 240 V / 50 – 60 Hz
Output	60 W
Power consumption	0,7 W
Mounting height max.	6,00 m
Slave modeselectable	No

Basic light level function percentage, from	10 %
Basic light level function percentage, up to	50 %
Optimum mounting height	2 m
Detection angle	240 °

### Detection Zone

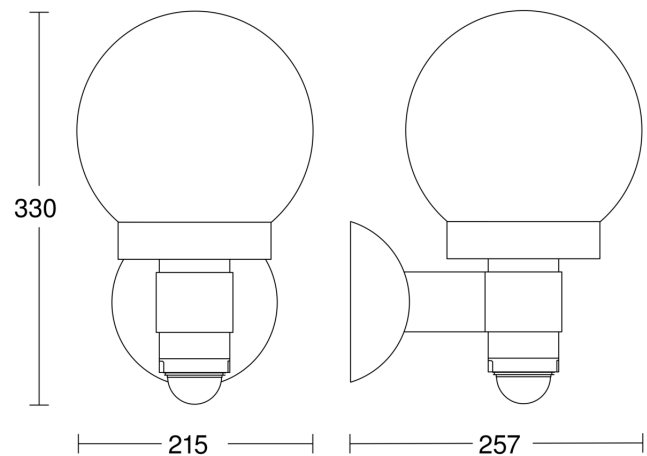


Possible mounting height: 1,80 m - 6,00 m

Orange: radial

Black: tangential

### Dimension Drawing



### Circuit diagram

