

Hallway

COM1 - Surface wiring
 EAN 4007841 057978
 Article number 057978



max. 25 x 3 m

2000 W

2000 W max. (LED-ready)



IP54



2 - 2000 lux



10 sec - 60 min



2 - 4 m

iQ

iQ-mode

Teach

Teach mode



connectable via bluetooth

5 years

manufacturer's warranty steinel-professional.de/garantie

Function description

The cleverer hallway sensor knows more. Perfect radial detection up to 25 m – ideal for long corridors and hallways. Reach can be adjusted in both directions. Contemporary Control PRO II design. Featuring Bluetooth technology. Interfaces for COM1, COM2, DALI-2 APC, DALI-2 IPD, KNX, IP and BT IPD (Slave).

Technical specifications

Dimensions (L x W x H)	62 x 123 x 123 mm	LED lamps > 8 W	600 W
With motion detector	Yes	Capacitive load in µF	176 µF
Manufacturer's Warranty	5 years	Power consumption	1 W
Settings via	Bluetooth	Technology, sensors	High frequency, Light sensor
With remote control	No	Mounting height	2,00 – 4,00 m
Version	COM1 - Surface wiring	Mounting height max.	4,00 m
PU1, EAN	4007841057978	Optimum mounting height	2,8 m
Type	Presence detector	HF-system	5,8 GHz
Application, place	Indoors	Detection	also through glass, wood and stud walls
Application, room	Indoors, corridor / aisle	Detection angle	Aisle, 360 °
Colour	white	Angle of aperture	140 °
Colour, RAL	9003	Sneak-by guard	Yes
Includes corner wall mount	No	Capability of masking out individual segments	No
Installation site	ceiling	Electronic scalability	Yes
Installation	Surface wiring, Ceiling	Mechanical scalability	No
IP-rating	IP54		
Ambient temperature	-20 – 50 °C		

Hallway

COM1 - Surface wiring
 EAN 4007841 057978
 Article number 057978



Technical specifications

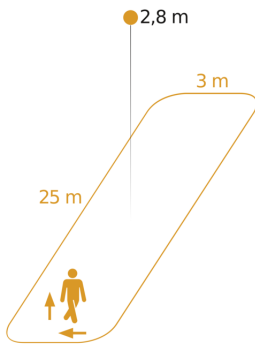
Material	Plastic
Mains power supply	220 – 240 V / 50 – 60 Hz
Switching output 1, resistive	2000 W
Switching output 1, number of LEDs / fluorescent lamps	8 pcs.
Switching output 1, floating	No
Fluorescent lamps, electronic ballast	1500 W
Fluorescent lamps, uncorrected	1000 VA
Fluorescent lamps, series-corrected	400 VA
Fluorescent lamps, parallel-corrected	1000 VA
Switching output 1, low-voltage halogen lamps	2000 VA
LED lamps < 2 W	100 W
LED lamps > 2 W < 8 W	300 W

Reach, radial	25 x 3 m (75 m ²)
Reach, tangential	25 x 3 m (75 m ²)
Transmitter power	< 1 mW
Functions	Group parameterisation, Semi-/fully automatic, Lighting scenario, Manual ON / ON-OFF, Neighbouring group function, Normal / test mode
Twilight setting	2 – 2000 lx
Time setting	10 s – 60 Min.
Basic light level function	No
Main light adjustable	No
Twilight setting TEACH	Yes
Constant-lighting control	No
Interconnection	Yes
Type of interconnection	Master/master, Master/slave
Interconnection via	Bluetooth

Hallway

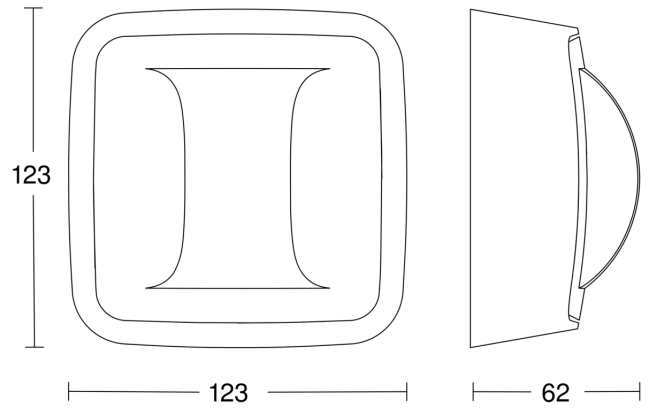
COM1 - Surface wiring
EAN 4007841 057978
Article number 057978

Detection Zone



Possible mounting height: 2,00 m - 4,00 m
Orange: radial and tangential

Dimension Drawing



Master circuit diagram

