

IS 3360 MX Highbay

COM1 - surface, sq.
EAN 4007841 033569
Article number 033569



infrared sensor
360°



18 m

2000 W

2000 W max. (LED-ready)



IP54



2 - 1000 lux



5 sec - 15 min



manual override 4h



ideal 4 - 14 m

Teach

Teach mode



energy saving

Function description

A head for heights. Powerful reach. Reliable. IS 3360 MX Highbay motion detector – ideal for high ceilings in industrial buildings or commercial properties. For mounting heights of up to 14 m. High-precision 360° infrared sensor. Maximum reach: 18 m. For watching over up to 1000 sq.m. Available as square surface-mounted and concealed version.

Technical specifications

| | | | |
|----------------------------|--|---|--------------------------------|
| Dimensions (L x W x H) | 65 x 95 x 95 mm | LED lamps > 8 W | 600 W |
| With motion detector | Yes | Capacitive load in µF | 176 µF |
| Manufacturer's Warranty | 5 years | Power consumption | 0,26 W |
| Settings via | Remote control, Potentiometers, Smart Remote | Technology, sensors | passive infrared, Light sensor |
| With remote control | No | Mounting height | 4,00 – 14,00 m |
| Version | COM1 - surface, sq. | Mounting height max. | 14,00 m |
| PU1, EAN | 4007841033569 | Optimum mounting height | 12 m |
| Type | Motion detectors | Detection angle | 360 ° |
| Application, place | Indoors | Angle of aperture | 180 ° |
| Application, room | high-bay warehouse, sports hall, Indoors | Sneak-by guard | Yes |
| Colour | white | Capability of masking out individual segments | Yes |
| Colour, RAL | 9003 | Electronic scalability | No |
| Includes corner wall mount | No | Mechanical scalability | No |
| Installation site | ceiling | Reach, radial | Ø 14 m (154 m ²) |
| Installation | Surface wiring, Ceiling | Reach, tangential | Ø 36 m (1018 m ²) |
| IP-rating | IP54 | Switching zones | 1416 switching zones |

IS 3360 MX Highbay

COM1 - surface, sq.
 EAN 4007841 033569
 Article number 033569



Technical specifications

| | |
|--|--------------------------|
| Ambient temperature | -20 – 50 °C |
| Material | Plastic |
| Mains power supply | 220 – 240 V / 50 – 60 Hz |
| Switching output 1, resistive | 2000 W |
| Switching output 1, number of LEDs / fluorescent lamps | 8 pcs. |
| Fluorescent lamps, electronic ballast | 1500 W |
| Fluorescent lamps, uncorrected | 1000 VA |
| Fluorescent lamps, series-corrected | 400 VA |
| Fluorescent lamps, parallel-corrected | 400 VA |
| Switching output 1, low-voltage halogen lamps | 2000 VA |
| LED lamps < 2 W | 100 W |
| LED lamps > 2 W < 8 W | 300 W |

| | |
|-----------------------------|--|
| Abdeckmaterial Lieferumfang | shrouds |
| Functions | Normal / test mode, Manual ON / ON-OFF |
| Twilight setting | 2 – 1000 lx |
| Time setting | 5 s – 15 Min. |
| Basic light level function | No |
| Main light adjustable | No |
| Twilight setting TEACH | Yes |
| Constant-lighting control | No |
| Interconnection | Yes |
| Type of interconnection | Master/master |
| Interconnection via | Cable |
| Interconnection, number | max. 10 sensors |

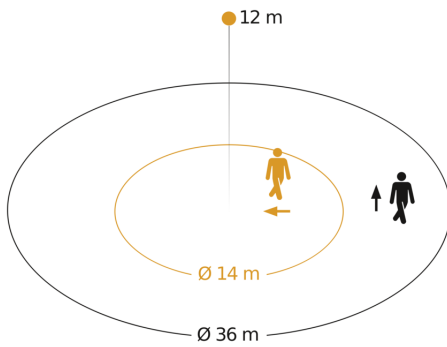
Accessories

| | |
|--------------------|-----------------------------|
| EAN 4007841 009151 | Remote control Smart Remote |
| EAN 4007841 559410 | Service remote control RC8 |
| EAN 4007841 056711 | Black cover for IR-sensors |

IS 3360 MX Highbay

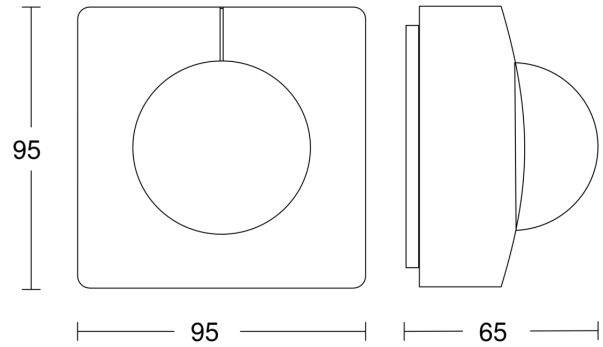
COM1 - surface, sq.
EAN 4007841 033569
Article number 033569

Detection Zone

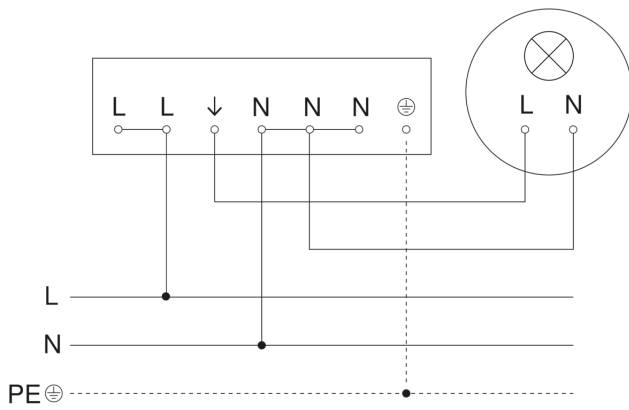


Possible mounting height: 4,00 m - 14,00 m
Orange: radial
Black: tangential

Dimension Drawing



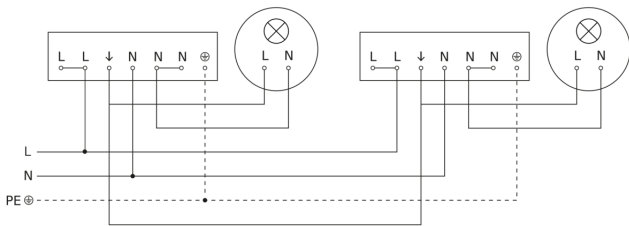
Master circuit diagram



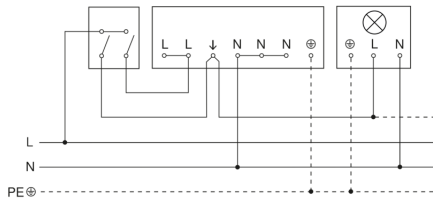
IS 3360 MX Highbay

COM1 - surface, sq.
EAN 4007841 033569
Article number 033569

Master/slave interconnection circuit diagram



Connection using two-circuit switch for manual and automatic operation



Connection of 4-fold push-button coupler to DALI2 APC

