

US 360

COM1 - Concealed wiring
 EAN 4007841 007935
 Article number 007935



ultrasonic sensor
360°



max. Ø 6 m
presence

2000 W

2000 W max. (LED-
ready)



IP20



ideal 2,5 - 3,5 m



indoor sensor

iQ

iQ-mode

Teach

Teach mode



energy saving

5 years

manufacturer's
warranty steinel-
professional.de/
garantie

Function description

Detects without obstructions. 360° ultrasonic presence detector US 360, ideal for offices, conference rooms, store rooms and class rooms. 28 sq.m. presence detection zone, immune to obstacles, envelops objects as opposed to penetrating them, detection regardless of temperature, electronically adjustable reach, COM1 for switching light ON and OFF.

Technical specifications

Dimensions (L x W x H)	67 x 120 x 120 mm	Capacitive load in µF	176 µF
Manufacturer's Warranty	5 years	Technology, sensors	Ultrasonic, Light sensor
Settings via	Remote control, DIP switches, Potentiometers, Smart Remote	Mounting height	2,50 – 3,50 m
With remote control	No	Mounting height max.	3,50 m
Version	COM1 - Concealed wiring	Optimum mounting height	2,8 m
PU1, EAN	4007841007935	Ultrasonic technology	40 kHz
Type	Presence detector	Detection angle	360 °
Application, place	Indoors	Angle of aperture	180 °
Application, room	classroom, one-person office, open-plan office, conference room / meeting room, duty room, recreation room, function room / ancillary room, stairwell, WC / washroom, Indoors	Sneak-by guard	Yes
Colour	white	Capability of masking out individual segments	No
Colour, RAL	9010	Electronic scalability	Yes
Includes corner wall mount	No	Mechanical scalability	No
Installation site	ceiling	Reach, radial	Ø 10 m (79 m ²)
		Reach, tangential	Ø 6 m (28 m ²)
		Reach, presence	Ø 6 m (28 m ²)

US 360

COM1 - Concealed wiring
 EAN 4007841 007935
 Article number 007935



Technical specifications

Installation	Concealed wiring, Ceiling
IP-rating	IP20
Ambient temperature	-25 – 55 °C
Material	Plastic
Mains power supply	230 V / 50 – 60 Hz
Fluorescent lamps, electronic ballast	1500 W
Fluorescent lamps, uncorrected	1000 VA
Fluorescent lamps, series-corrected	1000 VA
Fluorescent lamps, parallel-corrected	1000 VA
Switching output 1, low-voltage halogen lamps	2000 VA
LED lamps < 2 W	100 W
LED lamps > 2 W < 8 W	300 W
LED lamps > 8 W	600 W

Functions	Normal / test mode, Semi-/fully automatic, Pushbutton / switch mode, Manual ON / ON-OFF
Twilight setting	10 – 1000 lx
Time setting	30 s – 30 Min.
Basic light level function	No
Main light adjustable	No
Twilight setting TEACH	Yes
Constant-lighting control	No
Interconnection	Yes
Type of interconnection	Master/master, Master/slave
Interconnection via	Cable
Interconnection, number	max. 10 sensors

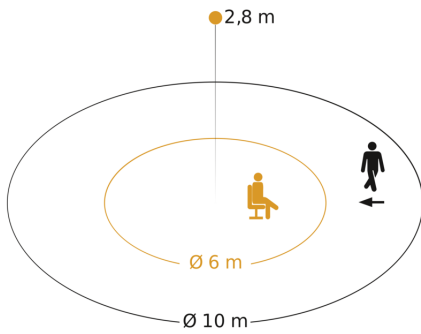
Accessories

EAN 4007841 009151	Remote control Smart Remote
EAN 4007841 559410	Service remote control RC8

US 360

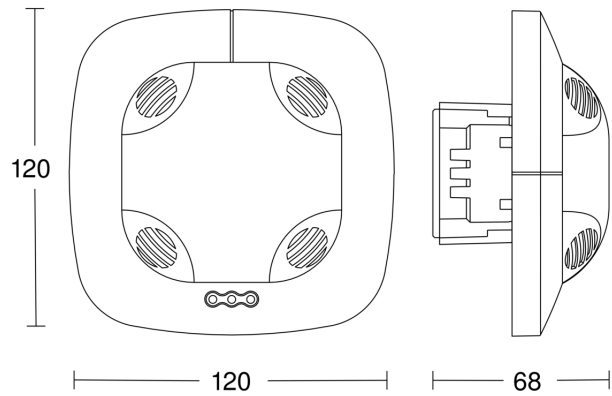
COM1 - Concealed wiring
EAN 4007841 007935
Article number 007935

Detection Zone

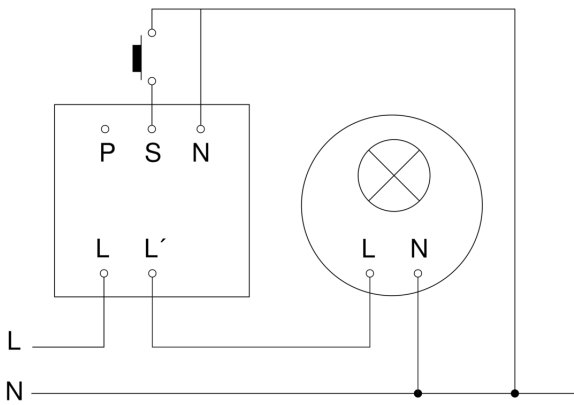


Possible mounting height: 2,50 m - 3,50 m
Orange: presence and tangential
Black: radial

Dimension Drawing



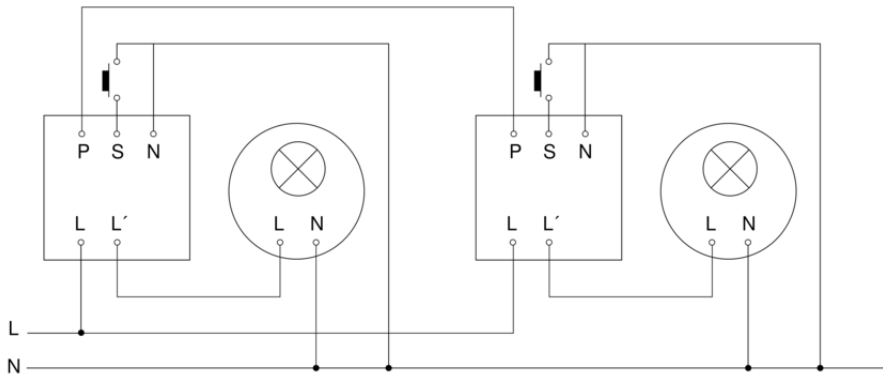
Master circuit diagram



US 360

COM1 - Concealed wiring
EAN 4007841 007935
Article number 007935

Master/master interconnection circuit diagram



Master/slave interconnection circuit diagram

